

Typical Pump Configuration

Performance

Pioneer Prime series - vacuum assisted, end suction centrifugal pump

Bare shaft, frame mounted, fully automatic dry priming, vacuum assisted, run dry, heavy duty solids handling pump

Size	12" x 8" 300 x 200 mm
Flow, Max	12000 USGPM 2760 m ³ /h 760 l/s
Head, Max	720 feet 220 meters
Flow at BEP	8000 USGPM 1800 m ³ /h 500 l/s
Efficiency at BEP	82%
Solids Handling, Max	3.0" 76 mm
Operating Speed, Max	2100 rpm
Suction Connection	12" 150 ANSI Flanges
Delivery Connection	8" 150 ANSI Flanges
Lubrication	Oil STD Grease optional
Fasteners	Imperial

Applications

Construction Waste Water Industrial	Mining Environmental Power Generation
-------------------------------------	---

High flow, solids handling, heavy duty pump

The PP128S22 is a high head pump designed to be cast in hard materials, as needed for the mine dewatering industry. It is a double volute design with minimal radial loading. With an 82% efficiency at BEP, the PP128S22 provides excellent performance, particularly for a pump running at these speeds, making it ideal pump for deep pit dewatering and water transfer.

UltraPrime™ Priming System

Priming System	Mechanically Driven Diaphragm Style Vacuum Pump
Air Removal Capability	50 CFM
Priming Chamber	Single chamber with positive sealing air separation PosiValve™ with stainless steel float ball & linkage.
Discharge Check Valve	Swing Style - ductile iron with Buna-n Disc

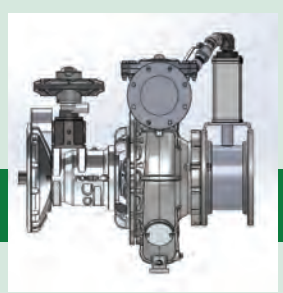
Other Specifications

Mechanical Seal	Single seal w/ tungsten carbide vs. silicon carbide seal faces, Viton® elastomers, 300 series stainless steel hardware and spring, designed for indefinite dry running
Pump End Bearing	Single row ball
Drive End Bearing	Double row angular contact
Shaft	ASTM A630 17-4PH COND HT1150 SS

Construction Materials Options

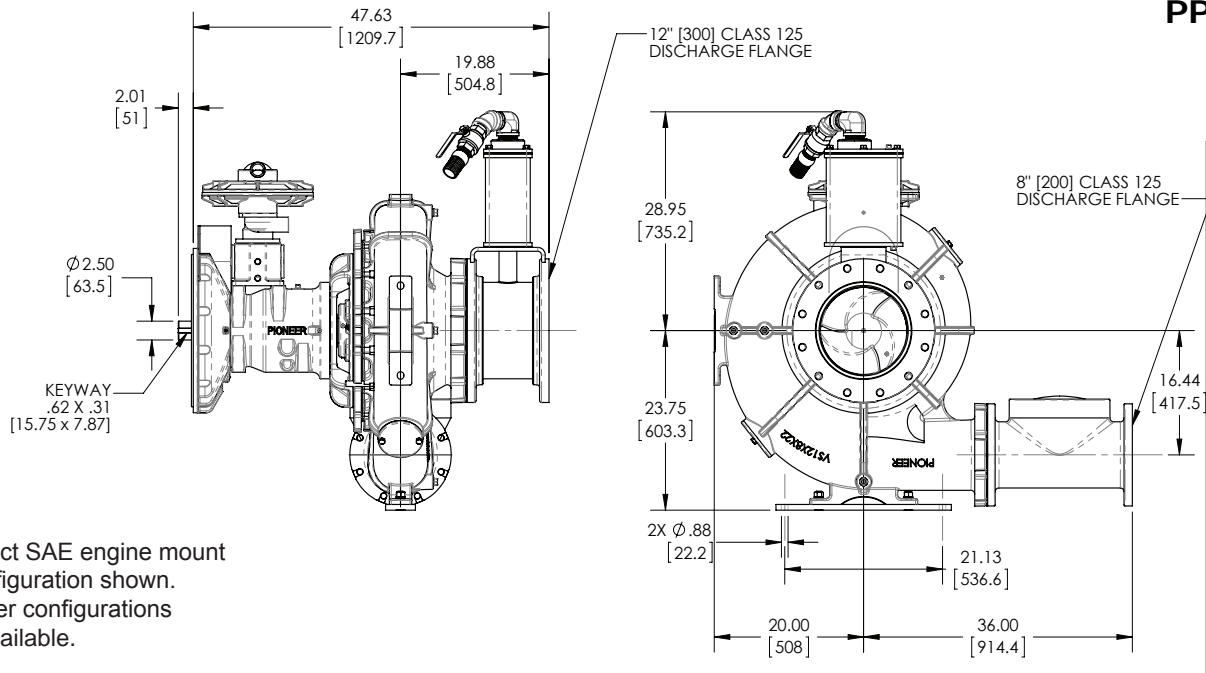
	Standard Construction	Optional Constructions		
		CD4MCu	Stainless Steel	Hardened Metals
Impeller	CA6NM SS	CD4MCu	316 SS	Available
Wear Ring	Cast Iron	316 SS	316 SS	Available
Suction Cover	ASTM A536 65-45-12	CD4MCu	316 SS	Available
Volute	ASTM A536 65-45-12	CD4MCu	316 SS	Available
Brac-plate	ASTM A536 65-45-12	CD4MCu	316 SS	Available

Mechanical Dimensions



Typical Pump Configuration

PP128S22



Direct SAE engine mount configuration shown. Other configurations available.

Performance Curve

MODEL: PP128S22	IMPELLER DIA: 22"	SPEED: Variable	SOLIDS SIZE: 3"	CURVE #13477HQ
-----------------	-------------------	-----------------	-----------------	----------------

