



Pioneer Prime
PP108S17L71



Typical Pump Configuration

Performance

Pioneer Prime series - vacuum assisted, end suction centrifugal pump

Bare shaft, frame mounted, fully automatic dry priming, vacuum assisted, run dry, heavy duty solids handling pump

Size	10" x 8" 254 x 200 mm
Flow, Max	7600 USGPM 1750 m ³ /h 480 l/s
Head, Max	450 feet 140 meters
Flow at BEP	4600 USGPM 1060 m ³ /h 290 l/s
Efficiency at BEP	80%
Solids Handling, Max	3.5" 89 mm
Operating Speed, Max	2000 rpm
Suction Connection	10" 150 ANSI Flanges
Delivery Connection	8" 150 ANSI Flanges
Lubrication	Oil STD Grease Optional
Fasteners	Imperial

Applications

Dirty water	Raw water pumps
Sewage bypass	Flood pumps
Silt returns	Mine dewatering
Cooling pumps	

High pressure, high flow, heavy duty solids handling pump

Designed to run over a broad range of performance while delivering outstanding suction lift, the PP108S17 is the solid choice. The rugged construction and modular design provide proven reliability and flexibility in the most demanding applications.

UltraPrime™ Priming System

Priming System	Mechanically Driven Diaphragm Style Vacuum Pump
Air Removal Capability	50 CFM
Priming Chamber	Single chamber with positive sealing air separation PosiValve™ with stainless steel float ball & linkage.
Discharge Check Valve	Swing Style - ductile iron with Buna-n Disc

Other Specifications

Mechanical Seal	Single seal w/ tungsten carbide vs. silicon carbide seal faces, Viton® elastomers, 300 series stainless steel hardware and spring, designed for indefinite dry running
Pump End Bearing	Single row ball
Drive End Bearing	Single row ball
Shaft	1144 Stress Proof Steel

Construction Materials Options

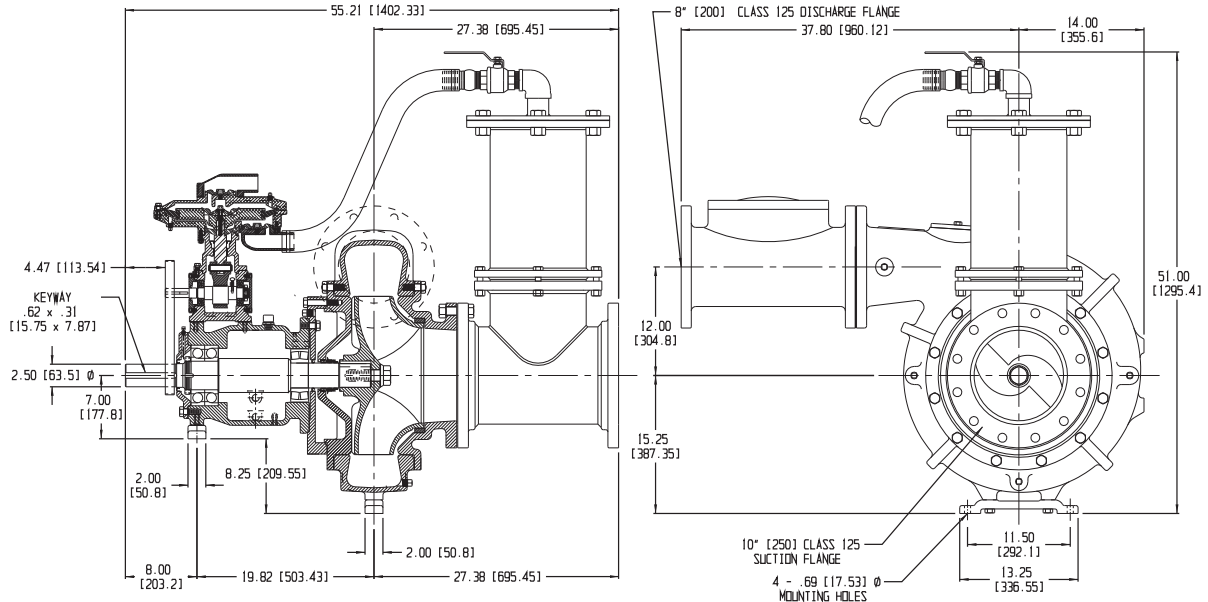
	Standard Construction	Optional Constructions	
Impeller	Ductile Iron	CD4MCu	316 SS
Wear Ring	ASTM A48 Class 40 Gray Iron	316 SS	316 SS
Suction Cover	ASTM A536 65-45-12	CD4MCu	316 SS
Volute	ASTM A536 65-45-12	CD4MCu	316 SS
Brac-plate	ASTM A536 65-45-12	CD4MCu	316 SS
Backplate	ASTM A536 65-45-12	CD4MCu	316 SS



Mechanical Dimensions

Typical Pump Configuration

PP108S17



Performance Curve

Model: PP108S17	Impeller Dia: 17.5"	Speed: Variable	Solids Size: 3.5"	Curve #07997HQ
-----------------	---------------------	-----------------	-------------------	----------------

